

OREGON WOOD WORKS

FROM THE PRESIDENT

GIG LEWIS

Thanks for having the confidence in electing me President of our Guild. It is not my Guild, or the Board of Director's Guild, it is OUR Guild. The Board and I are going to need lots of assistance and information from all of you to continue making the Guild better.

In our February meeting we are going to have a "State of the Guild" presentation with information from the various leaders of the different jobs. Yes, this is a first and I want to get lots of information out to all of you about what we are doing and where we are trying to go with the Guild. The meeting will be held at Stark Street Pizza. The Guild will buy the pizza, you will be responsible for your own beverage of choice. Some of the things that we will be discussing are: Membership, Finances, Education, Community Projects, and the Dream of a location of our own. We need to have you there. We will be doing a survey while you are there and one of the big questions is going to be, "What are the things that you like best about the Guild?"

We really do want to do more of whatever that is. We also want to know what you think needs to be changed and why it needs to be changed. We have 340 members today and all of you have ideas that would make the Guild better, please let me know what they are.

We have ten members working on the Board of Directors and another twelve working on the Education committee as Class Coordinators. Occasionally I hear comments that the Guild is being run by a group that wants to keep doing everything their own way. I need your input and your energy to help make the Guild better. I believe that we need at least another twenty members working with us to make the Guild better. If you would like to be a part of the team to make the Guild better let one of us know.

I did receive a comment last week about
(Continued on page 3)



Inside this Issue:

<i>LM: Finishing, Quick and Easy</i>	2
<i>Weekend Table Project</i>	4
<i>Mighty Fine Box Class</i>	5
<i>Making a Violin: Graduating</i>	6
<i>Table Saw Woes</i>	7

NEXT MEETING — WEDNESDAY — DECEMBER 12, 2012 6:30 PM

CHRISTMAS PARTY

4312 SE Stark, Portland, OR 97215—Multnomah Friends Meeting House

NOTE: This is NOT the normal meeting night, it's early for Christmas.

Another year gone by. Come help us wish it well with some of your other woodworking friends. Relax, enjoy some good food and the usual camaraderie of other woodworkers sharing stories, how-to's and the next grand woodworking project.

The Guild will provide plates/hardware, beverages and a couple of main dishes. Bring a potluck item (and serving tool) to enhance the choices. There will be a Secret Santa gift exchange. \$20-25 limit. The strong preference this year is a hand made gift. If you bring a gift, you'll exchange it secretly and take one home.

Directions: Park in the CORNER LOT at SE 47th and SE Stark



LAST MEETING: FINISHING QUICK AND EASY

BOB OSWALD

It was an interesting evening. First, a very large thank you to **Steve Penberthy** and his people for staying around so late.

The topic sounded interesting a month in advance. After all, who likes to spend time finishing (or a few other tedious woodworking tasks for that matter)? More on that in a minute. But as the presentations evolved, it became quite obvious that this was not finishing in the fine woodworking sense.

Kyle Peterson represented Daly and System Three. He covered System Three in good detail. There were product I knew about, and several I didn't. We're talking epoxy based products from System Three, not exactly fine woodworking finishes. Daly's is well known by many of our woodworkers for Profin. I hoped to learn more about it but it wasn't covered.

There's a surprising number of products available to make durable mirror finish counter tops, etc. And do indestructible construction or repairs.

Bob Mosier covered mostly Zar finishes and by the end of the presentation, Zar was burned into your brain. The products are really more like paint, being used in many cases to cover plastic substrates, old furniture that's been previously painted, etc. And it appears to do a masterful job at covering and flattening.

So while I am sure most of us, me included, thought we were going to see some new wipe off techniques, I came away feeling quite satisfied. Fine woodworking is not the only thing we do. Woodworking around the home, repair, building decks and more 'house' style things is also part of life. And the products presented tonight were enlightening to me, things I'd never been aware of before.

More on finishing—do you hate finishing? As well as sanding and sharpening? We have to take a step back and ask ourselves why we're in the shop in the first place? Hanging sheetrock in a new house addition is fun (sort of) because you see rapid progress. Applying the mud and trowel is distasteful because it's tedious and requires meticulous care to do it well. It's the same with your fine woodworking. There is as much skill required to sand out a job properly, even more so to apply a good finish. Even more care is required in sharpening your tools so they perform the way they were designed.

Working this violin project has reinforced those areas for me to a totally new degree. Hand carving, requires meticulous attention to grain direction.

So maybe next time we won't rush so quickly to a "Quick and Easy" solution? Nothing in woodworking, in my decade of recent experience, is quick and easy.

The meeting ended with a number of giveaways. Thank you again, Woodcrafters and Steve, for your generosity.

Show and Tell

Wow, the biggest ever. NINE people had something to show us. I love this part of the meeting and I hear numerous great comments about it. I didn't begin to capture the details this time, so here's a journey in photos. In the future, if you do a show and tell, and think to email me your name and a few words about your project, you'll get guaranteed coverage in the newsletter.

Of course two of the people I know well, me with a jewelry box completed at Bill Bolstad's Box Making class. And



Chip Webster took it upon himself to make a keepsake of the donated Mahogany for the nice lady who gave it to us.



Wonderful gesture, Chip, and thank you from all of us.



EVERYTHING FOR THE WOODWORKER ... AND MORE

Molding & Millwork, Lumber & Plywood/ Hand & Power Tools. Saw Blades. Router Bits & Shaper Cutters, Cabinet Hardware. Finishes.



212 NE Sixth Ave, Portland, OR 97232
www.woodcrafters.us/
503-231-0226

PRESIDENT

CONTINUED

(Continued from page 1)

the last two meetings starting 30 minutes late. On our Website we state that the start time for the meetings is 6:30 PM and I can understand why there is this confusion. We would like to get members arriving that early so that you can visit with each other and scope out the Show & Tell projects. We start the formal meeting at 7 PM and when we are at Franklin HS we need to be out of the shop by 9 PM. Regarding Show & Tell, I would like all the members that are sharing a project to sit at the front row of the chairs in order to save meeting time in the future.

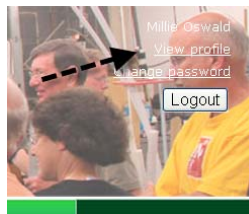
Our Guild is doing many things well. There may be things that we can do better and there are probably some that we need to add to what we are currently doing. I want to know where you think we can adjust things to make it work better. YES, personally, I want to make the Guild better and I want everyone else to help make that happen with me.

TO RENEW YOUR MEMBERSHIP

BOB OSWALD

When we converted to the new website, we changed the dues renewal date to the anniversary date you joined. For existing members at the time, it stayed the same, January. So quite a few of you will need to renew shortly.

1. Log in with your email address
2. Click **View Profile** at login box.
3. Click Renew Until



My profile

[Edit profile](#) [My directory profile](#)
 Profile [Privacy](#) [Email subscriptions](#) [Invoices and payments](#)

Membership details	
Membership level	General - \$45.00 (USD) Subscription period: 1 year No recurring payments
Membership status	Active
Member since	22 Jan 2012
Renewal due on	26 Oct 2014

[Change membership level](#)
[Renew until 26 Oct 2015](#)

Bill is still open to a few more people who are willing to share their favorite jig(s) and/or hand tool at the January meeting. To get on the agenda, please contact Bill Wood in advance at willm.wood@gmail.com



COMFORT ZONE

BOB OSWALD

I was going to suggest stepping outside your comfort zone and trying some new procedure. Or using more expensive hardwood than Oak. But comfort zone, to me, is things like performing a first violin solo at the Schnitz in Portland, or bungee jumping off the bridge at Royal Gorge, Colorado.

There should be no comfort zone issue in woodworking. It's **only** wood. It's cheap and replaceable. Well, ok, it's cheap if you build something smaller than a bedroom set.

Try something new because it's new. Everyone builds little boxes, or turns pens. If you've never turned a bowl, try one. If you've never built a table, you need to. There are only nine pieces in a basic table and most of them are the same.

Make mistakes, fuel the fireplace (winter is coming) and find out more about some of the other joys of woodworking.



SHOWCASE: PLANNING

GIG LEWIS

While the Woodworking Showcase is quite a ways out yet, early planning and a little work make it more successful and easier as time draws closer.

1. I need a volunteer to work with the Oregon High Schools to help them get ready for the High School Show in April. There are about 10 schools in the greater Portland area that need visits and encouragement to participate in the show.
2. Would like to have a volunteer to help with the "Signs and Banners" for the show
3. Would like someone to help with our advertising for the show.
4. I would like to contact anyone that is or has done "Home Schooling" The Guild is thinking about a project or class involving Home Schooling.

Contact Gig at giglinda@comcast.net or 503-646-7056



WEEKEND TABLE PROJECT

BOB OSWALD

Many of you have seen these folding tables, simple and plastic, at places like the garden shop in Fred Meyer. I saw one built of wood at the high school wood shop and was impressed and inspired to build one. I did and here are the details. Very easy to build as there are several identical parts. Getting it assembled and operating freely took a little finesse that I'm not sure I can share.

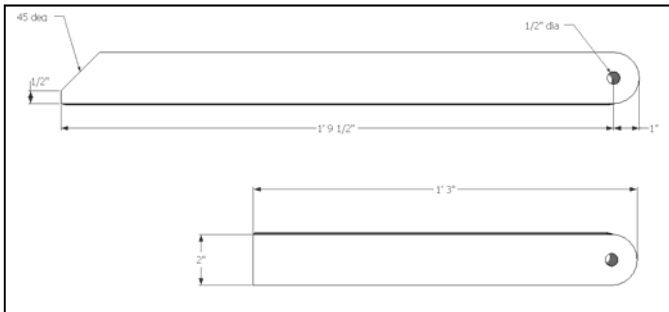
Materials:

- 4 each legs, 22 1/2" x 2" x 3/4"
- 4 each top support 15" x 2" x 3/4"
- 2 each table top 17" x 8" x 3/4"
- 2 each leg support 17" x 2 1/2" x 3/4"
- 4 dowel, 1/2" x 12 1/2"
- 1 dowel 1/2" x 12 1/2"

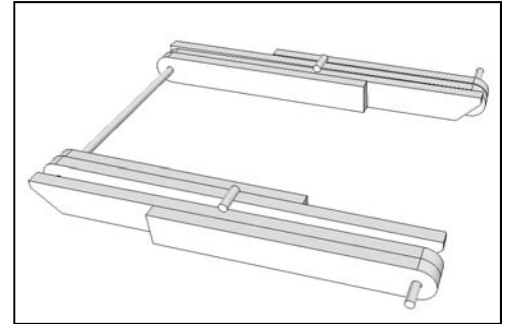
Milling:

Cut all the stock to the dimensions above.

Refer to Figure 1. Drill a 1/2" hole, 1" from one end, on legs and top support pieces. Round all ends to 1" radius as shown in the sketch. Cut a 45 degree slice on all the long pieces (legs) leaving a 1/2" flat on the end.



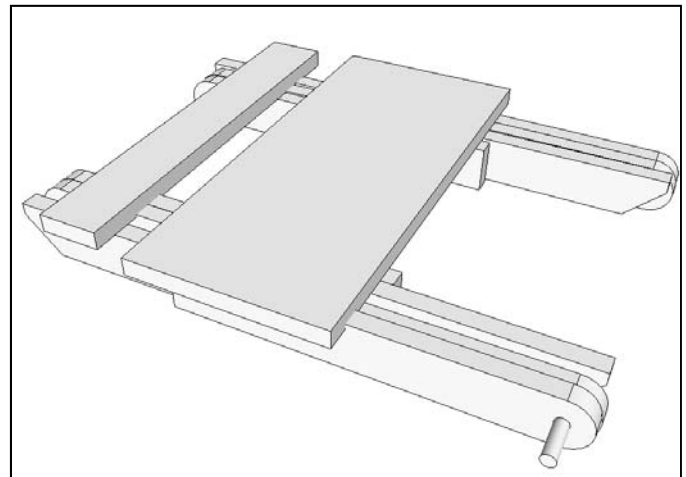
Lay out the pieces as shown in Figure 2. Insert the dowels. The short dowels are out of position but shown at the connection they make



Top and Leg Support Assembly:

Each table top is mounted with 1" overhang sideways and off the end of the top support.

Each leg support is mounted on the outside of the legs, about 2" from the bottom.



See the final photograph for general positioning. Call me if you decide to build it and need help.

Leg Assembly:

The holes in the top supports will want to be enlarged slightly so the dowel turns freely. The holes in the legs will want to be glued or pinned. For first assembly, don't glue or pin; do a test fit for general alignment.



VERY HEARTFELT THANKS

BOB OSWALD

Another year, another election of officers, another contribution to keeping the Guild dynamic and interesting. Your Board of Directors deserves a round of applause. All volunteer, as you know. Sometimes one of the board members will comment inadvertently, "Gosh, I sure spent a lot of time this week doing 'yada, yada'. I've got to do some customer work one of these days.

And folks, that's the attitude of the great people who are willing to serve on the board. Why? We like what we do. There's a great satisfaction in seeing a plan come together. Of seeing one hundred people at every meeting, smiling and talking among yourselves.

So I want to personally thank a few folks. **Ariel** for being willing to shoulder the yoke for two years, and boundless energy on community projects and the big art show, **Gig** for his relentless enthusiasm for everything, especially pursuit of a dream, a home of our own, **Roger** for unending dedication to finding new and better ways for the treasury, and many parts of the Guild, to function. **Larry** who is always full of innovative ideas for growing membership, and constant contributions in every area. **Bill** for a great year of

meetings and a dry sense of humor that I always enjoy when he announces our guests. **Chip** for continuing a successful education program and making it even better, despite having to work for a living too. **Bob**—well, a few people now and then tell me they like the newsletter. I appreciate hearing that. **Bill** and **Jim** for always being at the meetings to represent you folks.

If you don't know who these first name people are, take a moment to look at the board of directors on the website.



BOARD MEETING MINUTES

The board of directors of the Guild of Oregon Woodworkers meets monthly before the general meeting. Minutes of this meeting are available on the Guild website at www.GuildOfOregonWoodworkers.com. Click the "Board Minutes" entry under Members Only.

A MIGHTY FINE BOX MAKING CLASS

BOB OSWALD

Ten eager woodworkers headed sound Saturday morning to Bill Bolstad's shop. We're going to make a genuine, expensive, first class Bolstad style jewelry box with velvet lining and a drawer.

Bill runs a real production oriented shop. Little to no wasted manual labor. He says that if you're going to make a living at this, even in high end furniture, you've got to master production processes. There are jigs everywhere. We used a number of them on this project.

Little time is expended talking about how to do things. We're busy making sawdust all day, for two days.

I was impressed with the safety devices Bill has in place. Every time a saw was used, there was a plastic guard hovering over the blade like a guardian angel. Home-made to facilitate the action occurring at that station, it made for a comfortable class composed of all levels of woodworkers.

All the material



was provided, precut to rough dimension. I was a little curious about the use of Alder and how it would look in finished form. In a word, stunning. The figured top (we all got to select our own from Bill's inventory) really sets it off. And the black velvet lining, takes your breath away.

We did supply our own velvet, a simple and cheap trip to JoAnn's.

Everyone left with a box pretty well done, ready for sanding and finishing. Nancy will love it when she opens it Christmas Day.



Here is my finished box, ready for Christmas.



MAKING A VIOLIN

BOB OSWALD

Cutting the Channel

The channel is a shallow, round bottom cut around the perimeter of the back (and front). Spaced in from the edge. It cuts partly into the purfling. I don't get the purpose despite all my reading. It appears to be more style than anything, but it might have to do with making the attachment point of the sound generating back and front thinner, perhaps enhancing the sound.

It's done by hand with gentle swoops of a gouge, smoothed out with a scraper. A very difficult job for the beginner. It requires constant measurement with an outside caliper to get it to the right depth. At this point we're thinning to about 2mm, so overcutting is not a good thing. Ironically it seems to get thinner very, very slowly. Like, will I ever get there?



19 Cutting the channel

Oh, here's another rewarding step forward. Cutting the channel lowers the profile at that point. The templates used to shape the outside are based on this channel. So guess what, back to the plane to re-shape the back to its final profile. I THOUGHT I WAS FINISHED WITH THE PLANE.

Proceeding with tuning the final shape, I discovered that the edges were thicker than specified, about 1/2mm. I don't know how much that matters, but early on we talked about every little error adding up. Attempted trimming with the plane brought concern about chipping out the edges. Modern technology to the rescue. The Fein MultiMaster with an 80 grit pad gently and quickly reduced that profile to spec.



20 final arching

The blue tape marks areas that are at final dimension.

That made the channel too shallow, so it took a little more gouge work to deepen it. I think now we're ready to move on. There's still final surfacing with a scraper and sandpaper. I think I'll save that until the front is ready also.

Hollowing, the inside contour

With all the effort to create the correct outside profile, the next and final task is to hollow out the back so that it's about 1/8" thick everywhere. However the plans show the

hollowing to be done in specific areas.

You make a post under the drill and the fiddle back outside rests against it, keeping the curved shape perpendicular to the post. Drill a whole bunch of holes in the area designated and then hollow out the waste to the bottom of the holes. Sounds easy enough but I've dreamed about it off and on many nights, wanting that phase to take place so I could quit worrying about it.



21 Drill Press Gauge

The graduation map is a little terrifying. The light finally came on that the zones are hollowed across, not just at the lines. Drilling the reference holes is



22 Graduation Map

very intimidating. What if the drill pokes through! It took several tentative cuts, trying to hold the back perpendicular to the post, and measuring, to

finally screw up enough courage to just start drilling.

Nothing in the book says what kind of drill, so it feels to me like it needs to be flat bottom, a router bit. And I guess I'd run the drill press at top speed, but that will be a test cut for sure.



23 Drilling reference holes

A closer look at the text says a 2mm bit. Ok, that's a bad point. You have to read and read and read carefully.



24 Heavy Gouging

Initial hollowing is hard work. Rough shaping the outside went well using a disk sander. A lot more care on the inside is required to not invade forbidden areas. Finally resort-

ing to gouges, it's just plain hard work to hog out the bulk of the material. Those little reference holes are vivid in front of you, but there is only one millimeter beyond their bottoms to the final thickness.

Final hollowing with the round bottom planes went ok, but I'll be happy to see the end of it.

The book has you build a cradle from a plywood ring in the shape of the fiddle. I found the rubber jaws of these clamps worked very well. Holding it in place is a challenge and the bench dog clamp finally turned out to be an excellent solution. But be careful as it gets thinner not to crack the back. And the soft front will be even more delicate.

Graduation progress is a tedious process of removing it from the clamps and measuring with a graduation caliper, here a simple digital outside caliper. I mark the measured thickness and then refer to the manual for the final depth in each area.



25 Carving in a cradle



27 Graduation caliper



26 Graduation progress

Final scraper & sanding

The back is now completely shaped. It doesn't require tuning like the front will, although you should tap test it and get it close. I did. It kind of all sounds the same. That's either good or bad.

Another hour passes, sitting in front of the workbench, with a couple tiny scrapers and sandpaper, bringing these surfaces to a smooth and glistening polish.

Finally, it's ready to glue on to the shell. I think I'll set it aside and go to work on the front. I want to see them both clamped in position before gluing anything.

To be continued..

TABLE SAW WOES

BOB OSWALD

"Gosh, Uncle Bob, it looks like you've taken your table apart?" "Yes, Timmy, and it wasn't necessary but it seemed like the right thing to do at the time."

The lifting mechanism jammed (yet again). In the past it's been sawdust in the timing belt mechanism. But I've also made it work better by spraying some lube on the rack and pinion, down through the throat plate. This time it felt sticky down there and I concluded (incorrectly) that a lot of crap had built up. That disassembly was the only fix.

It was a significant project to get the table out and up-side down. A day of study and work and worrying about losing parts.

Turned out to be loose set screws on the timing belt gear, easily fixable from the front.

Putting it back together took about three tries. One step forward and then a few parts appear on the counter top that should have been put in earlier. All in all it went together ok and next time it would be much easier to take apart. But who remembers the details from last time!

Hopefully there's never going to be a next time. The saw did get a good cleaning, and dust collection problem got fixed at the same time. Right now it moves up, down and sideways so easy you almost have to lock the knobs.

"And that, Timmy, is how you rebuild a table saw."



ANOTHER RAFFLE

BILL WOOD

We are going to have another raffle. This new one will be at the February 2013 meeting. Save your unused lumber. Save your duplicate tools which you receive at Christmas this year. Do you have a tool which you do not use anymore but it has plenty of life left in it? Do you have cutoffs which are too good to burn but you don't have a project to use it on?

SAVE ALL OF THIS FOR OUR BUILDING FUND RAFFLE at the February meeting. One person has already volunteered a number of board feet of premium hardwood for this raffle. Don't miss this meeting and don't forget to bring something for the raffle if you can.

William Wood (willm.wood@gmail.com)

GUILD CLASSES

MAKING & USING ROUTER JIGS 12-1

When: Dec. 15, 2012 **Time:** 9 AM -4:40 PM

Location: Franklin H.S.

Instructor: Bob O'Conner **Tuition:** \$95.00

Contact: Greg Kaufman (360) 487-0823 or gk1nw@aol.com

Learn to Build a Cross Cut Sled for your Tablesaw 13-1

When: Tuesday, 08 Jan 2013 **Time:** 6:00 PM •

Location: Oregon College of Art and Craft

Instructor: Rob Lewis, **Tuition:** \$25.00

Call: Earl Swigert. 503-266.5030 or chocoeal2@canby.com

MACHINE MAINTENANCE OF POWER TOOLS 13-1.

January 26, 2013 **Time:** 9 AM -4:30 PM

Instructor: Steve Middlebush, Barbo \$65

Contact : Dennis Dolph **Location:** Barbo Machinery

WORKING WITH A LIVE EDGE: BUILDING A SIDE TABLE

When: February 2 & 3 **Time:** 9:00am to 4:00pm

Location: Franklin High School

Instructor: Alexander Anderson \$350

Call: Earl Swigert at chocoeal2@canby.co or 503.266.5030

INTRODUCTION TO TURNING 13-1.

When: Feb. 9, 2013 **Time:** 9:00am to 4:00pm

Location: Franklin High School

Instructor: Howard Borer \$135

Contact : Jim Madaras

INTRO TO DOUBLE BEVELED MARQUETRY 13-1

When: February 16, 2013 **Time:** 9AM-1:00PM **Location:** Franklin H.S.

Instructor: Jeff Zens **Tuition:** \$45.00

Call : Greg Kaufman at (360) 487-0823 or gk1nw@aol.com

PROJECT CLASS: DOVETAILS; BUILD A BLANKET CHEST 13-1

When: Mar 2&3, 2013 **Time:** 9:00 AM to 5PM

Location: Austin's Shop; 416 SE Oak Street, Portland, OR

Instructor: Austin Heitzman

Contact: Ed Vachal 971-275-3962 or edvachal@gmail.com

Coming Soon ...

SPECIALTY SHARPENING 13-1. January 12, 2013 Instructor: Jeff Zens

NEXT LEVEL: MILLING WORK PIECES USING MACHINES

February 23, 2013

NEXT LEVEL: Routers 13-1. March 30, 2013, Instructor: Bob Oswald

NEXT LEVEL: DRILL PRESS 13-1. March 23, 2013

NEXT LEVEL: OVERVIEW & COMMON USE OF WOOD-WORKING JOINTS 13-1. April 13, 2013

Check the website regularly for updates and additions.

<http://www.guilddoregonwoodworkers.com>

FOR SALE

Tools

- Delta #50-180 Dust chip collector, 1 H.P. on a 55 gallon drum with casters and a 4" x 10' pickup hose--excellent condition. \$300.00

- Delta #22-540, 15amp., 12" portable planer, with 4" dust hood and extension tables--excellent condition. \$300.00 and free set of 3 new jointer knives.

- Delta #DJ-15, 1&1/2 H.P. Motor, Long Bed (55 1/2") 6" Jointer on a steel mobile base with 4" dust hood (cost new \$1,120.00) excellent condition--\$650.00 with a free set of 2 new double-edge planer knives.

All made in the U.S.A. by Rockwell.

Lumber

Black Walnut, 4/4 and 5/4 - Select Grade, KD, surfaced S2S hit and miss, random widths and lengths. Lumber is stored indoors--78 bd. ft., plus--will sell for half-price at \$3.25 per bd. ft.

Patrick Lynchtwo@comcast.net, or 503-557-5526.

Jointer/planer

6" model jp06101 with delta 50-345 base. Asking \$350.

Scroll Saw

Dremel model 1800 variable speed 18" scroll station with DeWalt DW7880 stand. Uses 5" plain and pin-end blades. Includes 4-inch disc sander, light, tilting table, blade storage drawer and flex shaft take off. Original owner, very little use, looks and works like new. Asking \$180.

Steve Anderly at seanderly@comcast.net or 503-327-8119 home or 503-422-3648 cell.

Large Cherry Tree

Large two trunk cherry tree on a residential lot near SE 35th & Hawthorne will be removed in the next four to six weeks. The trunks are 28"- 32" at the base and 24"- 28" chest high. Overhanging adjacent property, it will be removed in sections, most likely no larger than six feet. One or both of the trunks may be hollow. The wood will be truck accessible via a residential driveway. The tree is located at an occupied residential rental property and wood salvage needs to occur within approximately one week after removal. For more information, contact Don Jones, Jr. at don.jonesjr@comcast.net or 503-312-8036.

ASH

Rough cut, 10-20" wide, average 14". Lengths typically 12 feet. Thickness range from 1- 2", average approx. 1 1/8".. Approximately 380 board feet. \$2.50/bf by the piece or \$2/bf for the whole lot.

Also available full sheets of cabinet finish grade plywood and rough cut Walnut, Maple, and Beech. Call Cindy at 360-433-7263 or 360-666-7399

INTRO TO CHAIR BUILDING

ED VACHAL

Dennis Loveland, the owner of a very successful furniture studio, and a Master Craftsman, will present a four-hour class on the essential elements involved in building a chair.

This Half-day class is NOT for Beginners. If you have not, at least, taken the Guild's "Basics of Fine Woodworking" series of classes then we urge you to please NOT sign up for this intensive skull-session. Dennis will be covering a lot of ground in a short period of time and if you are new to the art of woodworking, it's quite possible that this would not turn out to be a pleasant experience and we don't want that to happen to anyone. Please trust us on this one.

Dennis will cover the basics of chair making including the various parts of a chair; lay out of components; a thorough description of the various jigs he uses, fundamentals of sizing a chair; and a review of his work including how he approaches the design process.

Part of the design process will also include the various styles of chairs, as well as the techniques used to build each of the types of chairs that come out of his studio.

Finally, Dennis will cover the joinery (there will be several "exploded" parts/examples for you to inspect); the sculpting that goes into building a chair and a description of the various curves and shapes which not only makes a chair beautiful, but also comfortable. Of course, Dennis will cover the various tools his studio uses during the construction of his many styles of chairs.

YES!! Dennis has agreed to allow you to bring a camera to his studio to help you remember and document the information and the processes he uses to build these beautiful chairs. There will be a few handouts to help stay on track.

Tuition is \$45.00. It will happen in Dennis' studio, Loveland Woodworks, at 5034 N E 105th Ave., Portland, OR 97220. Class starts promptly at 9 AM. There will be a short 10 minute break so if you can NOT make it through until 1 PM without eating I suggest you bring a sandwich with you to eat during this short break. Dennis will have a pot of coffee brewing, and I will bring a cooler with pop & water.

Because we expect this class to fill up quickly, please please pay your tuition ASAP. The first 14 paying students will be in and we do NOT expect this Introduction class to be repeated until January of 2014...so do not dawdle.

WELCOME NEW MEMBERS

BOB OSWALD

Welcome to the Guild new members Michael Alexander, Gary Weeber, Steven Jaynes, Joe Walsh, Glenn Seim, William Hilts, Glen Hilts, John Nieman, Dan Keddy and Marty Downs, We're happy to have you with us. Say hello to an officer or two at the next meeting so we can get to know you.

NEXT LEVEL FEEDBACK

CHIP WEBSTER

The Next Level Education Team Wants Your Feedback and Input!

The Next Level series of classes is designed to provide you with the hand and power tool skills that a craftsman needs on the journey to making fine furniture. And it will prepare you for more advanced learning in the future. The emphasis is on hand tools with just enough power tools to help the individual get back to the workbench quickly. A hallmark of this series is the hands-on learning experience in a progressive sequence.

This series may be the first of its kind in the West, and perhaps the Nation. Since it is new, your feedback and input is critical. Over 40 individuals have attended some of the classes with a small core now beginning the progression through the middle of the series. We have reached an inflection point and want to hear from you. If you have attended one or more of these classes, if you have thought about attending the series or just want to learn more and have some pizza, please mark your calendars and join the Next Level instructors *November 28, 2012* for some interactive brainstorming to make the series better. We will start at 5:30 PM and plan to be finished by 8:30 PM. **Please note that this is a change in date.**

There is no charge for this event. The Guild will provide the pizza and sodas. There will be a cash bar for wine and beer. Please register on line under Meetings if you plan to attend so we have an idea of headcount.

ELECTION OF OFFICERS

BOARD OF DIRECTORS

The following officers were elected for 2013 at the November general meeting at Woodcrafters.

- ◆ President, Gig Lewis
- ◆ Vice President, Ariel Enriquez
- ◆ Secretary, Bill Hamilton
- ◆ Treasurer, Roger Crooks

DELIVER THE TOYS

The delivery goal to KOIN is December 19. Contact Kathryn before December 8 to make arrangements for pickup or delivery. Kathryn can be reached at kdinhw@yahoo.com or 503-780-3129.



The Guild of Oregon Woodworkers is a group of professional and amateur woodworkers like you, committed to developing our craftsmanship and woodworking business skills. The Guild offers many benefits for members, including:

- *monthly educational meetings*
- *monthly newsletter*
- *mentoring program to help members develop their skills in specific areas*
- *discounts*
- *woodworking shows*
- *network of business partners (the key to our development as members and as a Guild, providing additional learning opportunities)*
- *and a network of support.*

GUILD OF OREGON WOODWORKERS

10190 SW Washington St., Portland, OR 97225

CLASSES, SEMINARS, DEMOS, AND SUCH

Northwest Woodworking Studio 503-284-1644, www.northwestwoodworking.com

Rockler Woodworking 503-672-7266, www.rockler.com

Oregon College of Art and Craft 503-297-5544, www.ocac.edu

Woodcraft 503-684-1428, www.woodcraft.com

Woodcrafters 503-231-0226, 212 NE 6th Avenue, Portland, www.woodcrafters.us

THE GUILD IS PROUD TO BE SPONSORED BY:

Barbo Machinery
Carbide Saw
Emerson Hardwood
Goby Walnut Products
Hardwood Industries
Rockler Woodworking
Woodcraft
Woodcrafters



AFFILIATES:

Northwest Woodworking Studio
Oregon College of Art and Craft

- ◆ Some sponsors offer discounts to current Guild members. See the website for details. ** Scholarship Sponsor



Guild of Oregon Woodworkers

c/o Bob Oswald
40639 SW Vandehey Road
Gaston, OR 97119

We're on the Web!

www.GuildOfOregonWoodworkers.com